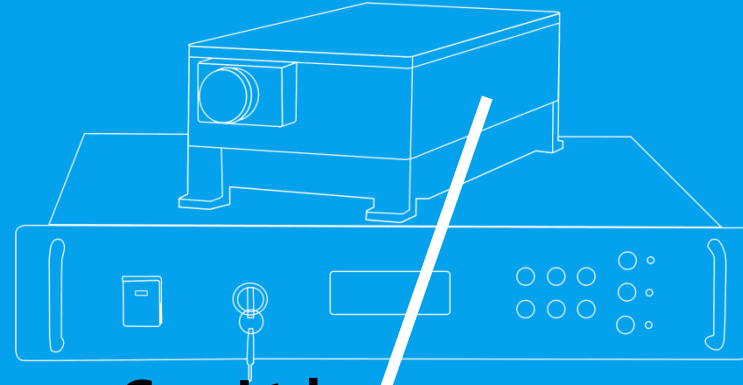




Gainlaser

格 雷 激 光



Shenzhen Gainlaser Laser Science And Technology Co., Ltd.

Company Profile

Shenzhen Gainlaser Laser Technology Co., Ltd. is a professional manufacturer of UV laser marking machine, DPSS UV laser, high speed galvanometer scanner and laser marking cabinets in Shenzhen, China. Since 2002 established, our group company has been engaging in laser equipments, all of our products are designed and manufactured by ourselves.

Our R&D team is led by Professor Huang Guobiao, former director of SSL Research Center of HUST university, who developed the first picosecond laser in China. Our company has a 100-class dust-free purification laboratory and production workshop, equipped with complete instruments and equipments for solid-state laser testing and auxiliary production. We owns the independent intellectual property rights, besides our scanning system is suitable for various waveband lasers, including CO2 laser(10600nm), YAG laser(1064nm), green laser(532nm), UV laser(355nm), etc.

We have a complete mechanical processing and sheet metal processing capability, and a high related supporting capability of UV laser machines. We provide a complete after-sales service, which responds to clients' after-sales needs quickly.

1

**Fiber Metal
Machine Housing**

General fiber cabinet

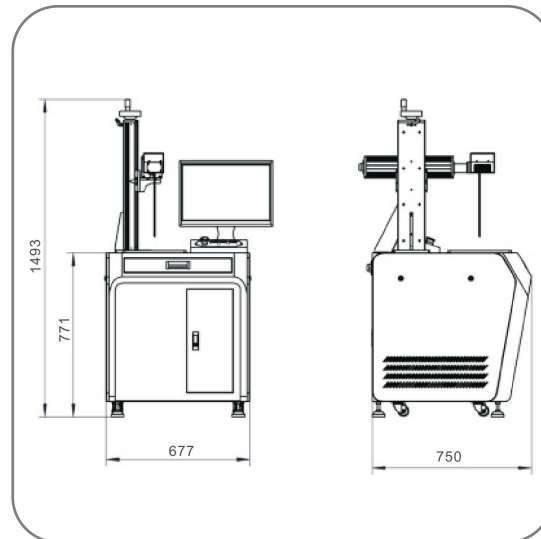
ZKY-GQ-01N

Dimension: 677x750x700mm

Zaxis: 130x600mm/170x600mm

Table size: 300x300mm/650x690mm

Weight: 80kg



General fiber cabinet

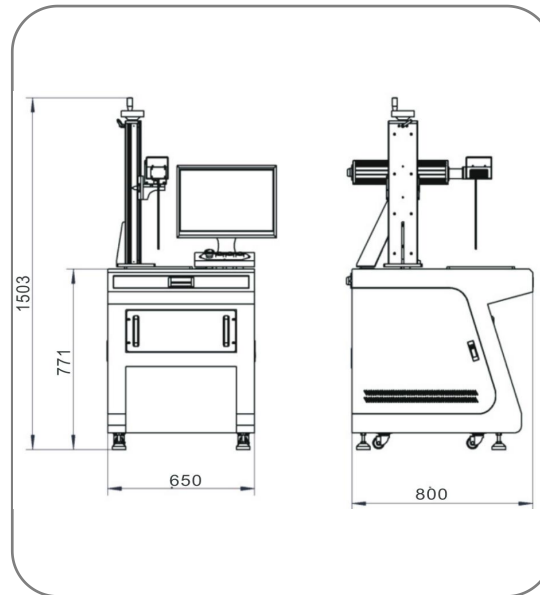
ZKY-GQ-03N

Dimension: 650x800x770mm

Zaxis: 130x600mm/170x600mm

Table size: 300x300mm/650x690mm

Weight: 80kg



General fiber cabinet

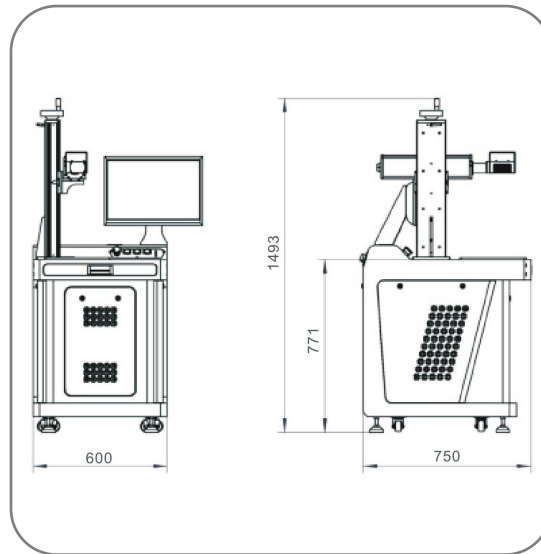
ZKY-GQ-04N

Dimension: 600x750x770mm

Zaxis: 130x600mm/170x600mm

Table size: 300x300mm

Weight: 75kg



Closed fiber cabinet

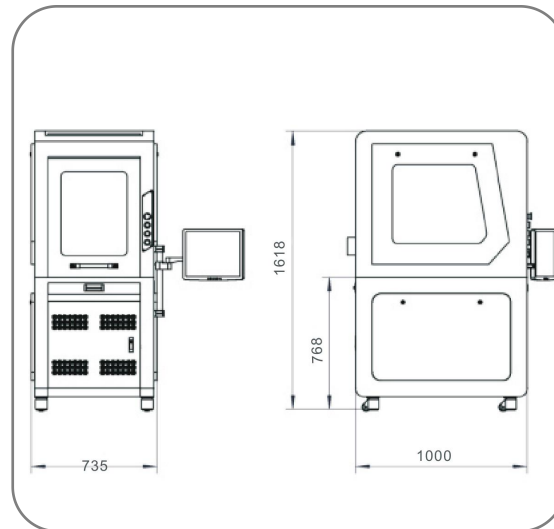
ZKY-GQ-06N

Dimension: 735x1000x1618mm

Zaxis: 130x600mm/170x600mm

Table size: 530x700mm

Weight: 150kg



Semi-closed fiber optic cabinet

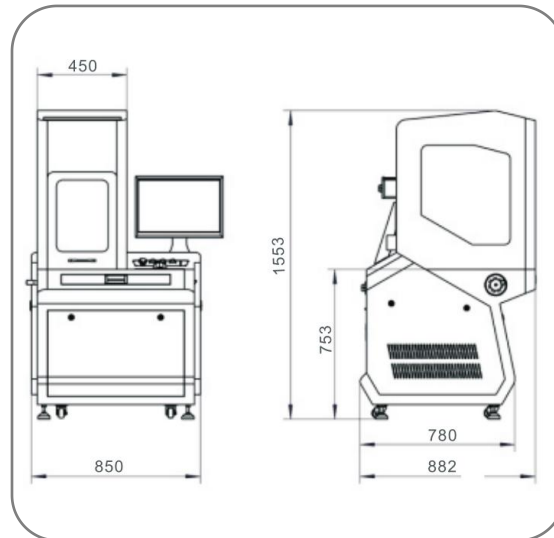
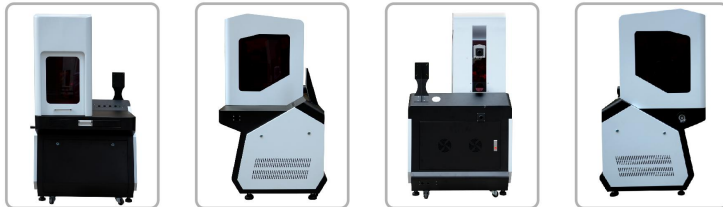
ZKY-GQ-08N

Dimension: 850x880x1553mm

Zaxis: 130x600mm/170x600mm

Table size: 350x480mm

Weight: 120kg



General fiber cabinet

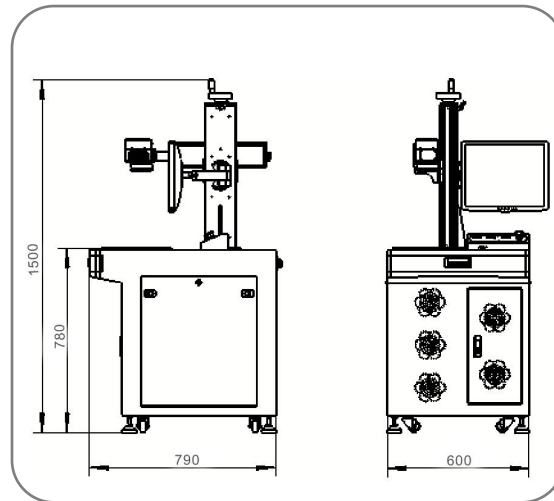
ZKY-GQ-03B

Dimension: 600x790x780mm

Zaxis: 130x600mm/170x600mm

Table size: 300x300mm/600x790mm

Weight: 75kg



波纹白



波纹蓝



General fiber cabinet

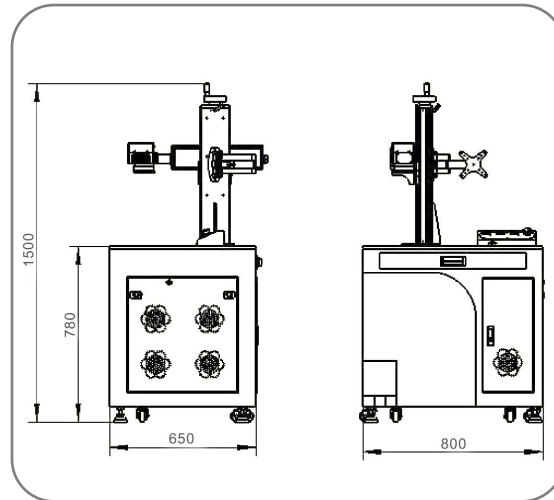
ZKY-GQ-04A

Dimension: 800x650x780mm

Zaxis: 130x600mm/170x600mm

Table size: 300x300mm/650x430mm

Weight: 85kg



General fiber cabinet

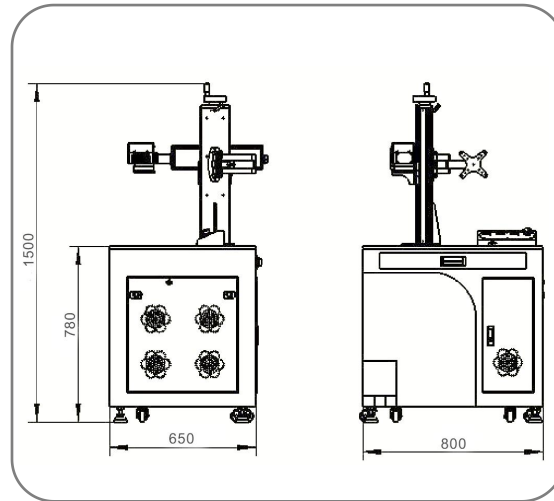
ZKY-GQ-05A

Dimension: 800x650x780mm

Zaxis: 130x600mm/170x600mm

Table size: 300x300mm/650x430mm

Weight: 85kg



Portable optical fiber case

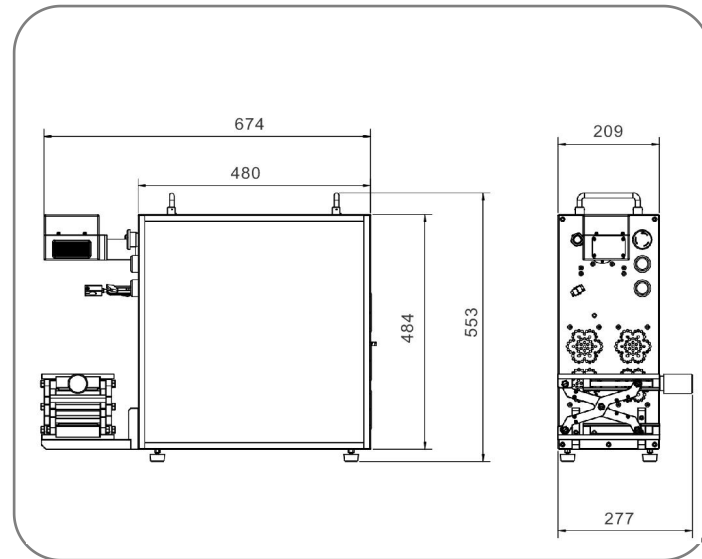
ZKY-GQ-07A

Dimension: 210x674x550mm

Lifting stroke: 150mm

Table size: 220x150mm

Weight: 20kg



Portable optical fiber case

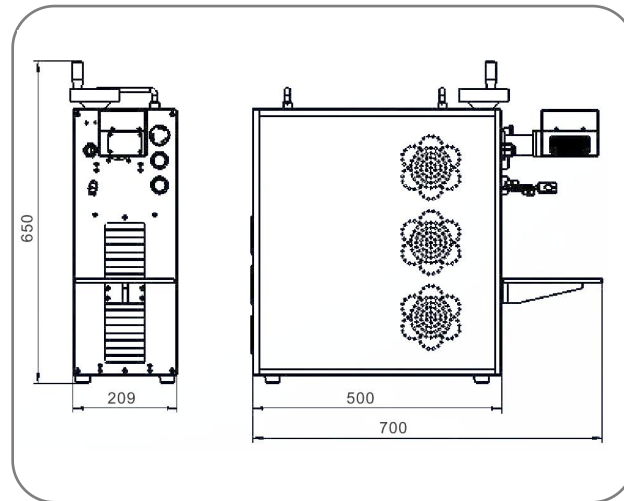
ZKY-GQ-07B

Dimension: 210x700x700mm

Lifting stroke: 150mm

Table size: 220x150mm

Weight: 20kg



Fiber Desktop cabinet

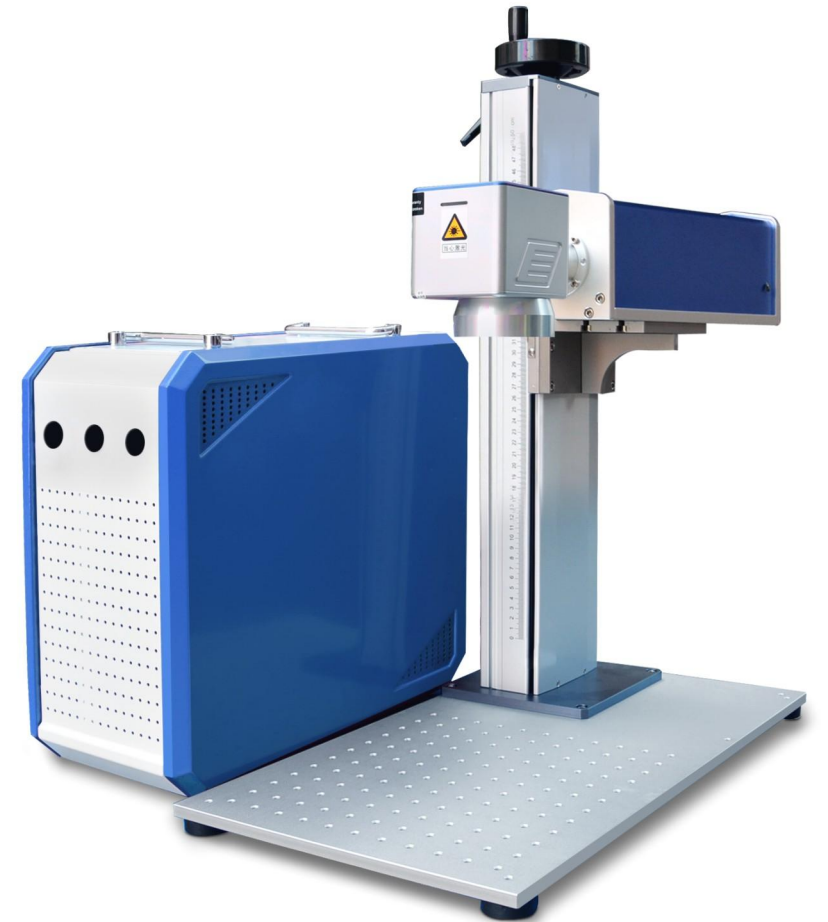
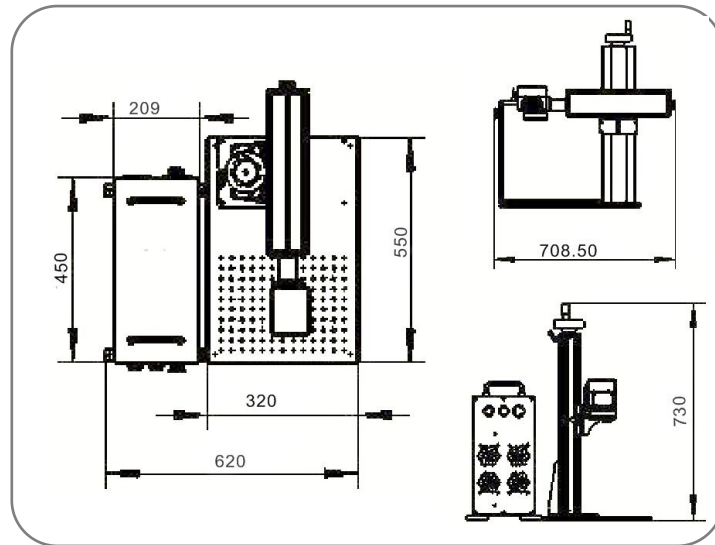
ZKY-GQ-09A

Dimension: 210x450x400mm

Lifting stroke: 130x600mm

Table size: 320x550mm

Weight: 30kg



Fiber flying frame

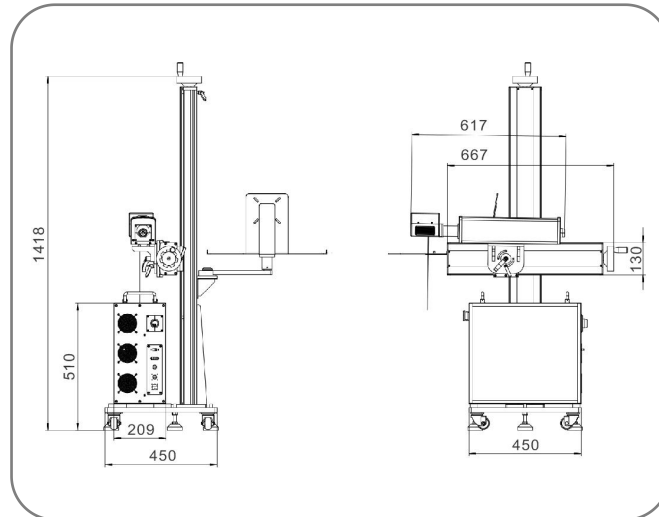
ZKY-GQ-10A

Dimension: 210x450x400mm

Lifting size: 130x1200mm

Lifting stroke: 650mm

Weight: 100kg



2 CO2 Metal Machine Housing

General C02 cabinet

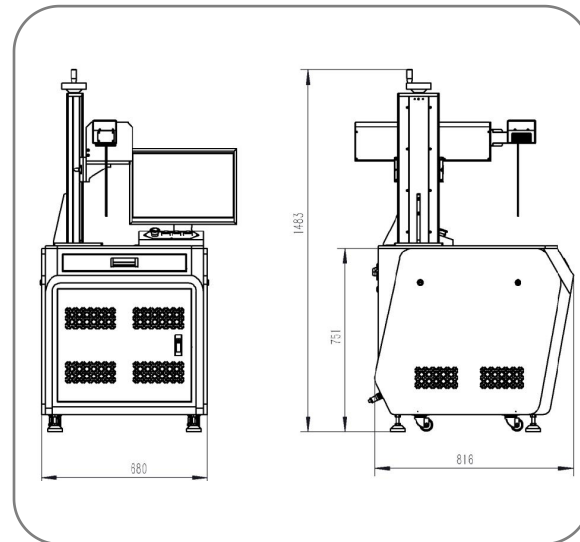
ZKY-C02-01N

Dimension: 680x816x751mm

Table size: 300x300mm/650x690mm

Zaxis: 130x600mm/300x600mm

Weight: 100kg



C02 flying frame

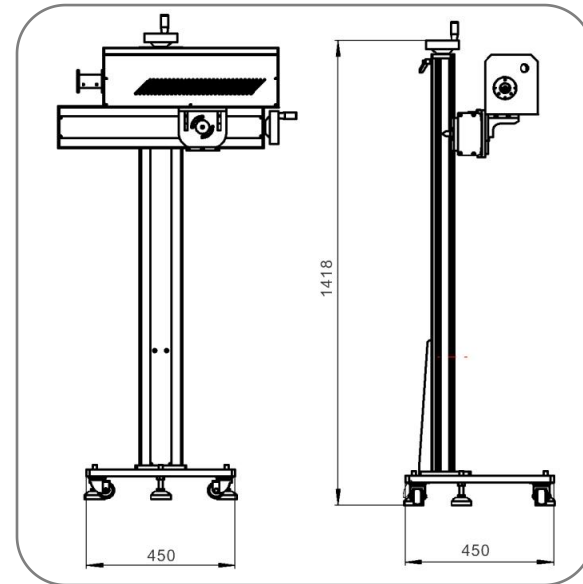
ZKY-C02-04A2

Dimension: 210x450x400mm

Frame size: 450x450x1420mm

Zaxis: 130x600mm/170x600mm

Weight: 60kg



3

UV Metal Machine Housing

General UV cabinet

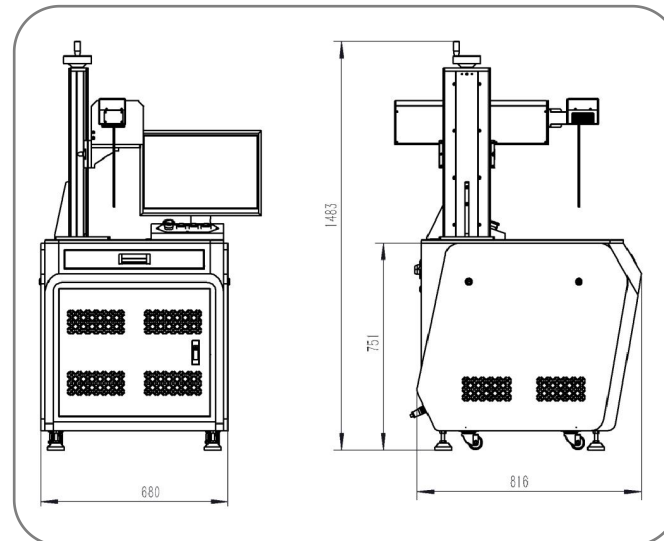
ZKY-ZW-01N

Dimension: 680x816x751mm

Zaxis: 130x600mm/170x600mm

Table size: 300x300mm/650x690

Weight: 100kg



Double station UV cabinet

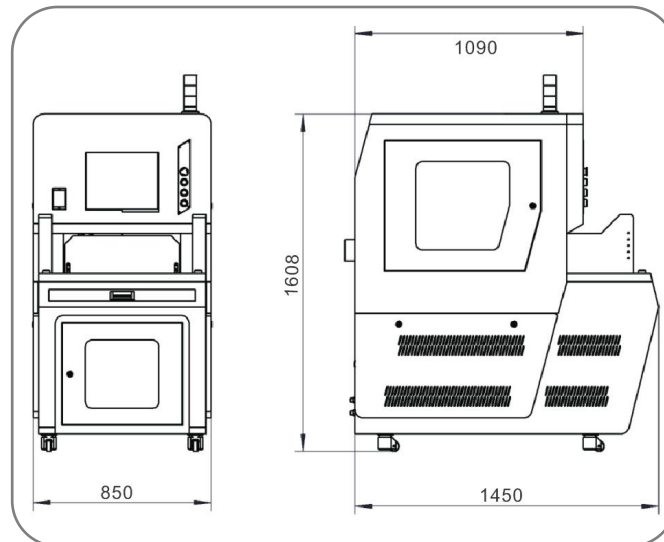
ZKY-ZW-03N

Dimension: 850x1450x1608mm

Zaxis: 130x600mm/170x600mm

Table size: 550x550mm

Weight: 200kg



UV flying frame

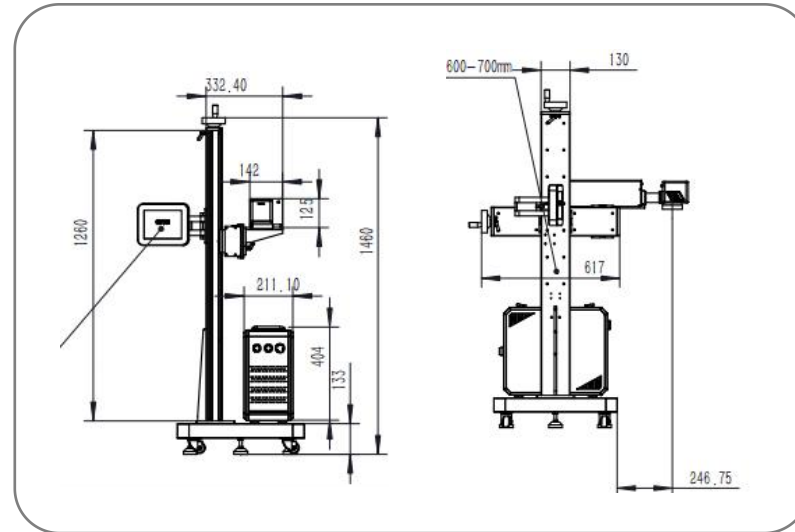
ZKY-ZW-03A

Dimension: 1460x550x550mm

Zaxis: 130X1260mm

Base size: 550x550x133mm

Weight: 58kg



4 Laser equipment accessories

Laser equipment accessories

Lifting Column

ZKY-GZT-01A

Lifting size:

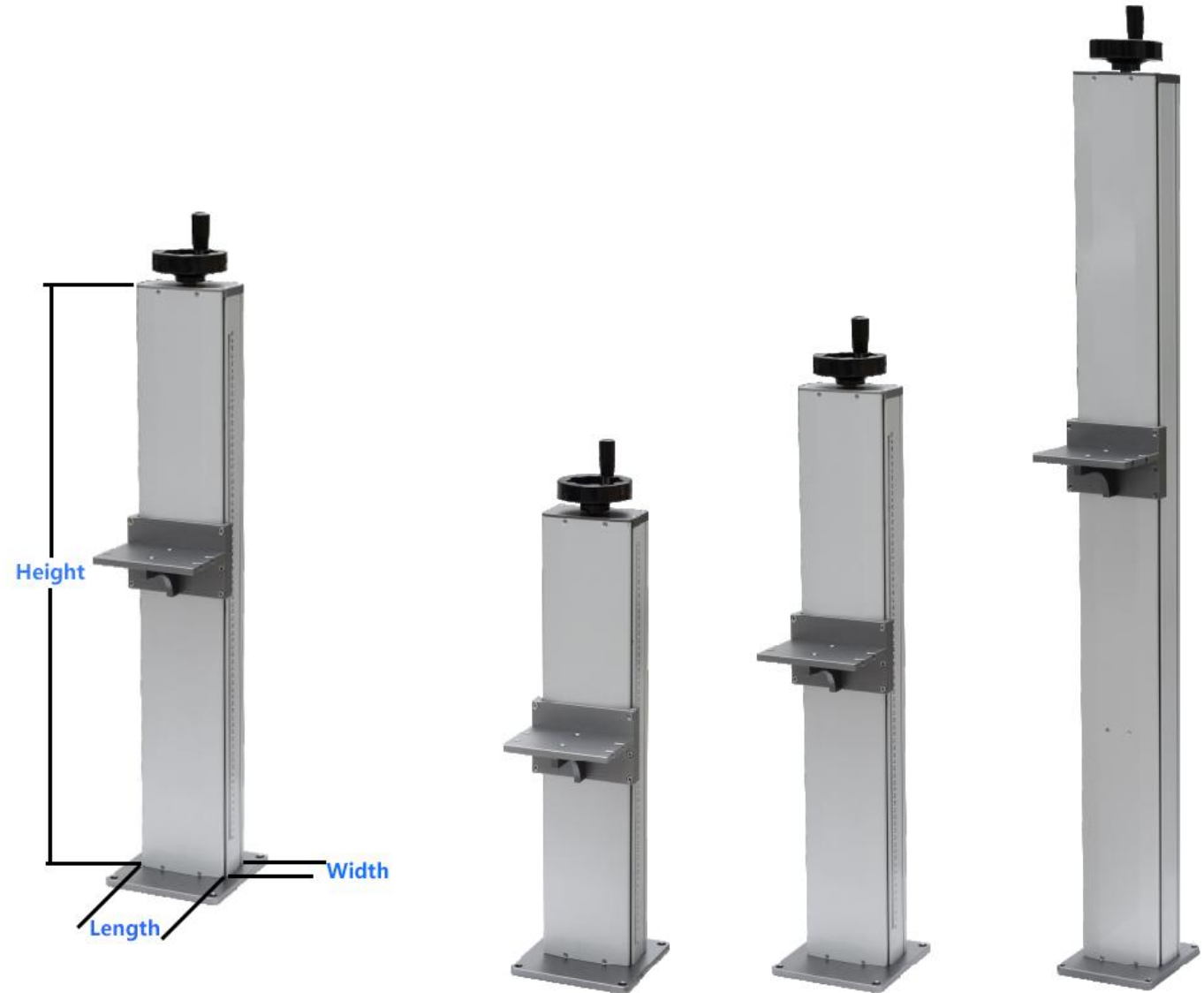
W60*L130*H400mm: **700 RMB/pcs**

W60*L130*H600mm: **800 RMB/pcs**

W60*L130*H800mm: **1000 RMB/pcs**

W60*L170*H600mm: **1000 RMB/pcs**

W60*L170*H800mm: **1200 RMB/pcs**



Lifting column

ZKY-GZT-01A

Standard configuration: bidirectional circular track, T-type screw rod

High configuration: square track, roll ball screw rod

Lifting size

60X130X170 (Manual or electric)

60x130x130 (Manual or electric)



170 Lifting
column



130 Lifting
column

Slide rail

ZKY-GZT-02A

There are electric Slide rail in it.

stroke: 200~600mm

Electric machinery: 57Stepping or Servo

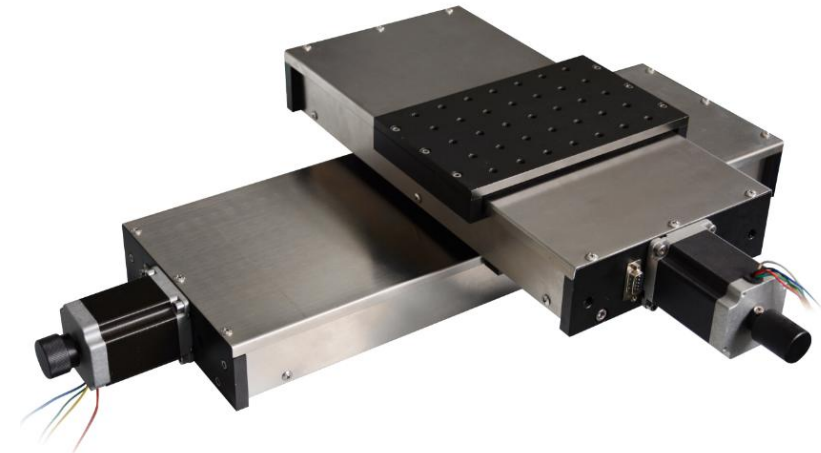
External motor slideway

stroke: 200~600mm

Electric machinery: 57Stepping or Servo



There are electric Slide rail in it.
ZKY-GZT-02A



External motor slideway
ZKY-GZT-02B

Workbench

ZKY-GZT-03A

3D independent worktable

shape size: 500x460x740mm

stroke: Z=300mm XY=70mm

Weight: 25kg

Scissor-type worktable

shape size: 260x150x70mm

stroke: Z=150mm

Weight: 7kg

Two-dimension worktable

shape size: 320x240x70mm

stroke: X=140mm Y=100mm

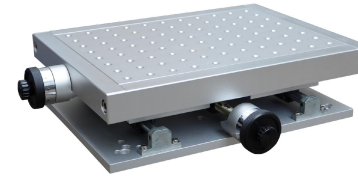
Weight: 7kg

Scissor-type 3D worktable

shape size: 260x150x100mm

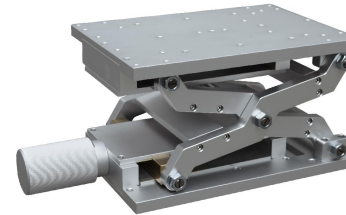
stroke: Z=150mm

Weight: 9kg



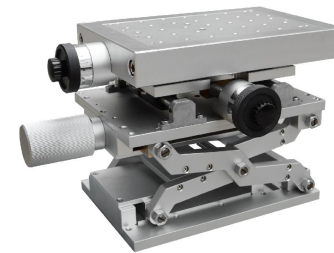
ZKY-GZT-03A2

800 RMB



ZKY-GZT-03A3

800 RMB



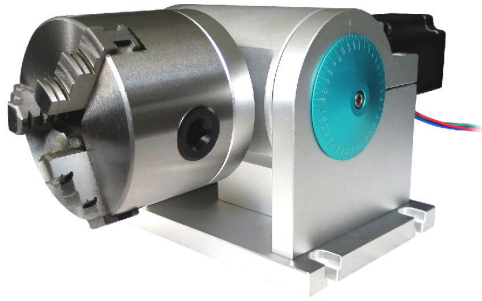
ZKY-GZT-03A4

1800 RMB



ZKY-GZT-03A1

1600 RMB



Model: ZKY-GZT-4A3

80° Rotary Fixture

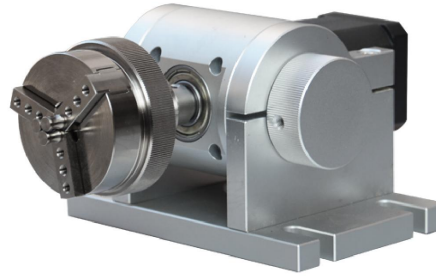
Shape size: chuck size 80mm

Positioning accuracy: 0.2mm

Drive mode: step-by-step

Total weight: 6kg

1000 RMB



Model: ZKY-GZT-4A4

50° Rotary Fixture

Shape size: chuck size 50mm

Positioning accuracy: 0.2mm

Drive mode: step-by-step

Total weight: 3KG

1000 RMB

Optical Fiber Path

ZKY-GL-01A

ZKY-GL-01A1

Shape size: 380x100x110mm
Total weight: 3kg

ZKY-GL-01A2

Shape size: 380x100x100mm
Total weight: 3.5kg

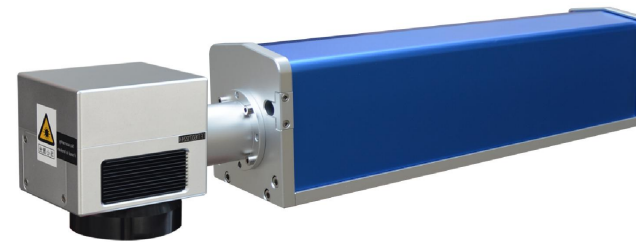
ZKY-GL-01A3

Shape size: 380x100x110mm
Total weight: 5kg

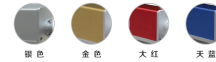
ZKY-GL-01A4

Shape size: 380x100x110mm
Total weight: 3kg

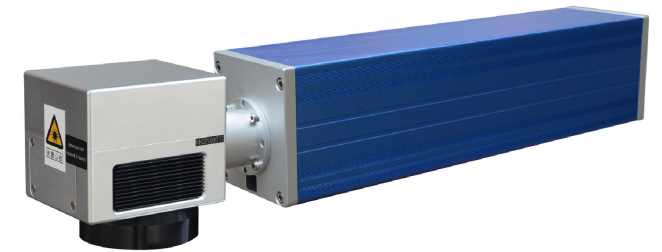
400 RMB



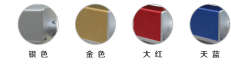
ZKY-GL-01A1



500 RMB

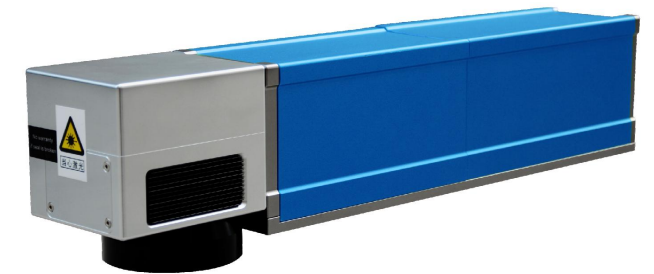


ZKY-GL-01A2



ZKY-GL-01A3

1300 RMB



ZKY-GL-01A4

1200 RMB

Optical Fiber Path

ZKY-GL-01A

Handheld Optical Fiber Path

ZKY-GL-01A5

hape size: 370x80x220mm

Total weight: 4kg

End-Pump Optical Path

ZKY-GL-02A

hape size: 330x110x118mm

Total weight: 2kg



ZKY-GL-01A5



ZKY-GL-02A

Optical Fiber Path

ZKY-GL-03A

hape size: 190x160x740mm

Total weight: 7kg



ps: Ultraviolet optical path and CO₂ optical path can be customized

CO2 Optical Fiber Path

ZKY-GL-04A

ZKY-GL-04A1

hape size: 610x170x160mm
Total weight: 7kg

ZKY-GL-01A2

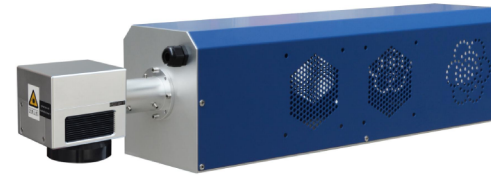
hape size: 620x220x170mm
Total weight: 10kg

ZKY-GL-01A3

hape size: 530x155x180mm
Total weight: 7kg

ZKY-GL-01A4

hape size: 700x200x195mm
Total weight: 12kg



ZKY-GL-04A2

1200 RMB



ZKY-GL-04A1

1200 RMB



ZKY-GL-04A3

1200 RMB



ZKY-GL-04A4

1200 RMB

Office Room



Factory production



THANK YOU

Shenzhen Gainlaser Laser Science And Technology Co., Ltd.

Export manager: Nikki Lee

Mobile: 86-13129170398

Zip code: 518106

Tel: 0755-86007654

Fax: 0755-86029127

E-mail: export@gainlaser.com

Website: www.gainlaser.com / www.uv-lasermarkingmachine.com

Add: No.39,Xitian 2nd Industrial Zone, Gongming Street, Guangming District,
Shenzhen, Guangdong, China